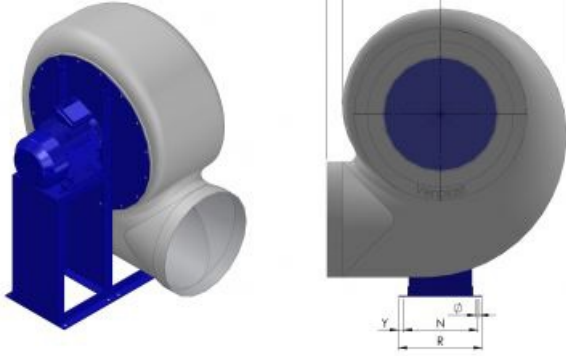


## Venplast



Garanti: 12 ay

Bu ¼r¼ne ait T¼rkiye i¼i kapı teslim fiyat ve teslim s¼resi i¼eren teklifimizi almak i¼in

[info@yursat.com.tr](mailto:info@yursat.com.tr) e-posta adresine baŐıvuru yapabilir ya da ayrıntılı bilgi i¼in +90 224 240 03 04 numaralı telefonumuzdan bizlere ulaŐabilirsiniz.

**Venplast** Markası, tedarik s¼resi i¼in l¼tfen bizimle iletiŐime ge¼iniz.

*Firmamız Venplast T¼rkiye Distrib¼t¼r¼ veya temsilcisi deĐildir. Firmamız sipariŐ durumunda, belirtilen ¼r¼nlerde sadece Orjinal ve yeni ¼r¼n teklifi sunmaktadır. Bu sitede g¼sterilen ¼zel marka adları ve ticari markalar ilgili sahiplerinin m¼lkiyetindedir, talep durumunda kaldırılmaktadır.*

¼r¼n	A¼ıklama
<a href="#">TD / ATEX Duct type radial explosion-proof fans</a>	New Project It will work in a flammable gas environment, It will suck air at a temperature of 60-62 ° C, Should be at least 1000 m <sup>3</sup> / hour flow rate, It should work silently and without vibration, Must be able to operate at either 230V 50Hz or 400V 50 Hz network voltages Could you please send your price offer for P 204, P 202, P 254 and P 252 of Venplast P series exproof snail fans? (With 3D Cad file in Step iges interface)
<a href="#">EP 452 -4</a>	
<a href="#">Exproof fan PE 202 RD 270°</a>	
<a href="#">P 282</a>	Polyethylene body and rotor, directly coupled, 0.75 kW Flow 960 m <sup>3</sup> pressure 1 100 Pa Revolution 2 800 rpm *Aspirator chassis manufacturing and assembly Made of black material, including 1 coat of anticorrosion + 2 coats of topcoat and 4 vibration mounts.
<a href="#">PE-202 Exproof</a>	'5005003006 00019
<a href="#">Fan type P 282 direct drive</a>	with three phase EExd motor Kw 0,75 Rpm 2850 Volt 230/400/50 Atex II 2G IIC T4 PE-el housing , PP impeller , epoxy painted motor support ;
<a href="#">P202 IP55</a>	2800rpm
<a href="#">PE-252 Exproof</a>	EEx-D IIC T4 380V-50Hz 0.37kW -2800D/ 2100 m <sup>3</sup> /h- 230Pa suction and discharge :200mm heat resistant +100C Atex II2g Exx-d IIC T4-IP:66 Atex Zone 2
<a href="#">PE-202 Exproof</a>	EEx-D IIC T4 380V-50Hz 0.18kW -2750D/ 1100 m <sup>3</sup> /h - 155Pa suction and discharge :160mm heat resistant +100C Rotation direction: RD270 degree Atex II2g Exx-d IIC T4-IP:66 Atex Zone 2
	380V – 50Hz – 0.18Kw – IP:55 – 2750dd 480 m <sup>3</sup> /h – 550 Pa

<a href="#">Alp-P 202-0.18 Acid Fan</a>	Ø =160mm 17Kg 56db PP Polypropylene PE Polyethylene IE1-IE2 IP55 when Direct Coupled Air Flow
<a href="#">Fan type P 202</a>	with three phase motor Kw 0,18 Rpm 2850 Volt 230/400/50 PE housing , PP impeller , painted motor support ;
<a href="#">TCV 454</a>	V:6.900 m <sup>3</sup> /h-101 Pa Roof Type Fan Plastic
<a href="#">P352 + P452</a>	ONE DIAMETER 280 6800 M3 OTHER DIAMETER 355 11000 M3
<a href="#">Alp-P 202-0.18</a>	Network Information 380V – 50Hz – 0.18Kw – IP:55 – 2750dd Air Flow 480 m <sup>3</sup> /h – 550 Pa Connection Diameter Ø =160mm Weight 17Kg Volume 56db Propeller Material /PP Polypropylene Body Material PE Polyethylene Engine IE1-IE2 IP55 when Direct Coupled Air Flow
<a href="#">P-282 PP</a>	
<a href="#">SEAT 15-037 PP</a>	
<a href="#">EXHAUST FAN</a>	304 Stainless Steel, 3.500 m <sup>3</sup> /h - 450 mmSS 3.000 d/d - 4 KW (with control panel) Alp-P 202-0.18 Acid Fan 380V – 50Hz – 0.18Kw – IP:55 – 2750dd 480 m <sup>3</sup> /h – 550 Pa Ø =160mm 17Kg 56db IE1-IE2 IP55 when Direct Coupled Air Flow
<a href="#">Air Fan</a>	Desired Net Air Flow: 30000 m <sup>3</sup> /h Elbow: 10 pieces Total Pipe length: 20m Head Head: 15m Pipe Diameter:400mm
<a href="#">Fan type P 202</a>	with three phase motor Kw 0,18 Rpm 2850 Volt 230/400/50 PE housing, PP impeller, painted motor support;
<a href="#">Fan type PQ 452 direct drive</a>	with three phase motor Kw 7,5 Rpm 2850 Volt 400/690/50 PE housing, PP impeller, painted motor support;
<a href="#">PE-252 ATEX</a>	
<a href="#">Ø355 PVC flexible connector</a>	
<a href="#">Ø250 PVC flexible connector</a>	
<a href="#">Ø250-355 PVC/PP reduction</a>	
<a href="#">Ø250 PVC/PP adjustable damper</a>	
<a href="#">3/8" PVC drain plug</a>	
<a href="#">Ex-proof Exhaust Fan 8000m<sup>3</sup>/h</a>	600Pa and Ex-proof On OFF Switch (3G IIA T4 zone-2)
<a href="#">Ex-proof Exhaust Fan 3000m<sup>3</sup>/h</a>	600Pa and Ex-proof On OFF Switch (3G IIA T4 zone-2)
<a href="#">Wall Type Exproof Fan 3000 m<sup>3</sup>/h, 150 Pa (3D IIIA T160°C Zone 21 )</a>	
<a href="#">P 352</a>	
<a href="#">P 454</a>	
<a href="#">P 254</a>	
<a href="#">P 354</a>	

<a href="#">Fan type P 252 direct drive</a>	with three phase motor Kw 0,37 Rpm 2850 Volt 230/400/50 PE housing, PP impeller, painted motor support;
<a href="#">P 282</a>	
<a href="#">P 316</a>	
<a href="#">P 284</a>	
<a href="#">P 312</a>	
<a href="#">P 452</a>	
<a href="#">P 224</a>	
<a href="#">P 404</a>	
<a href="#">P 222</a>	
<a href="#">P 406</a>	
<a href="#">P 204</a>	
<a href="#">Pr 125 T</a>	
<a href="#">P 202</a>	
<a href="#">P 356</a>	
<a href="#">P 456</a>	
<a href="#">P 314</a>	