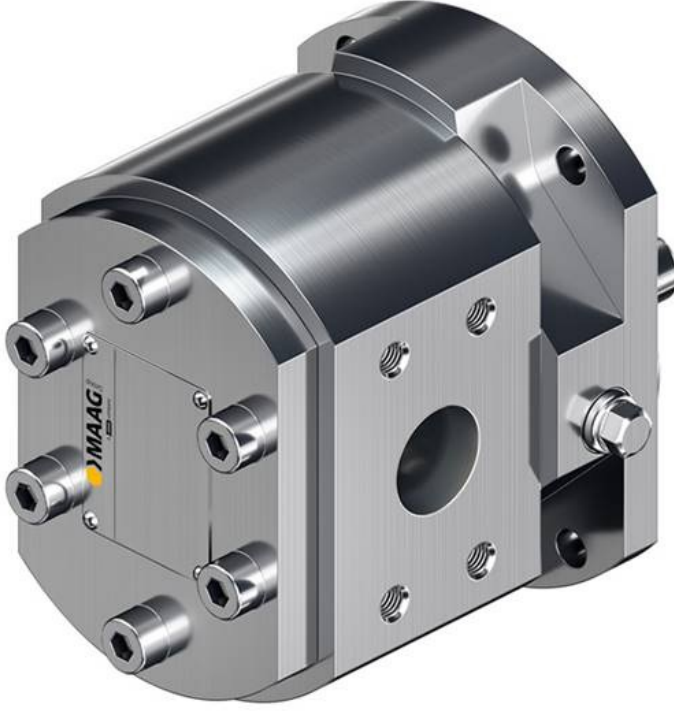


Maag



Garanti: 12 ay
Bu ¼r¼ne ait T¼rkiye ii kapı teslim fiyat ve teslim s¼resi ieren teklifimizi almak iin info@yursat.com.tr e-posta adresine baŐvuru yapabilir ya da ayrıntılı bilgi iin +90 224 240 03 04 numaralı telefonumuzdan bizlere ulaŐabilirsiniz. **Maag** Markası, tedarik s¼resi iin l¼tfen bizimle iletiŐime geiniz.

Firmamız Maag T¼rkiye Distrib¼t¼r¼ veya temsilcisi deĐildir. Firmamız sipariŐ durumunda, belirtilen ¼r¼nlerde sadece Orjinal ve yeni ¼r¼n teklifi sunmaktadır. Bu sitede g¼sterilen Özel marka adları ve ticari markalar ilgili sahiplerinin m¼lkiyetindedir, talep durumunda kaldırılmaktadır.

¼r¼n	Aıklama
Cinox® 22/13	MAAG GEAR PUMP Spare pump with free shaft end with the reference: 50079481 SAP 615692 Specific volume: 2.8 cm ³ / rev Dimensional drawing: 1007,10162,01 Execution: Housing: stainless steel 1.4435 Game system: A2 W1R2 Direction of rotation: Left / right to left seen from the drive Flow direction: horizontal Heating: without Shafts: Z15: Straight toothed chrome steel shafts (1.4112 (X90)) Warehouse: L21: coal Seal: D7.S: Simple mechanical seal (stainless steel) *****Connection flange: standard flange 100 bar, NW 20 SAE J 518 b Installation: horizontal
CINOX CX 28/28 with	P/F MAAG GEAR PUMPS, TYPE CINOX CX 28/28 WITH ACCESSORIES PARTS FOR MAAG GEAR PUMPS, SAP-NOS. 637253/55 AND 639629 DRWG-NOS. 828.1221/1222,1223.01/1237.01/0421.01 CODE A FOR SAP NO.637253, P-B/C/D-1005A/B CODE B FOR SAP NO. 637254, P-A 1003, 1004A/B CODE C FOR SAP NO. 637255, P-B/C/D-1001A/B CODE D FOR SAP NO.639629, 04/14/34/-P-11 REF.MAAG PUMP SYSTEM, ZURICH TAGS P-A-1003 A/B, P-A-1004 A/B, P-B/C/D-1001 A/B P-B/C/D-1005 A/B AND 04/14/34-P-11 TND-1117, TND- 1118, TND-1119 & AMP; TND-8023 BEARING (52887) NO: 828.5021.22
hydrolub 45/56	MAAG GEAR PUMP Replacement pump with free shaft end with the reference: SAP 653174 Specific volume: 57.7 cm ³ / rev Dimension drawing: 1007/10213/01 Execution: Housing: gray cast iron 0.6020 Play system: A3 W1R1 Direction of rotation: clockwise / from left to right as seen from the drive Direction of flow: horizontal / Heating: without Shafts: Z60: Helical-toothed nitrided steel shafts (1.5714) Bearing: L02: MnBronze Seal: D7.N: Simple mechanical seal (stainless steel) Pump bracket: foot Connection flange: standard flange 160 bar Lineup: horizontal

NP28/28 0.37kw	
NP 45/45 2.2kw	
NP 28/36 0.75kw	
50178346/0010	
50178346/0010 + Repair kit set	
GEAR PUMP ER 56 RB	Spare bare shaft pump with reference: 718537 Specific volume : 59.6 cm ³ /rev Body / Cover : Steel Shafts : tool steel X40 Bearing : NiAg Seal : Bearing lubricating flow discharged externally by Viscoseal Particularities: Spiroflex groove only on the outlet side 1x probe bore 1/2" - 20 UNF - 2B in the entrance 1x probe bore 1/2" - 20 UNF - 2B in the outlet Liquid temperature control, customer-specific Special storage for sensitive polymers
Temperature sensor adapter M14x1.5 / D12 (40 mm)	
110967	Spiral seal D 75 / 63.1x4.5 SPV1NG spiral seal Type : D75 / 63.1x4.5 SPV1NG spiral seal
NP28/36 50125681/020	
Gear Pump Hydrolub NP 28/28 0.966 m3/h	
MAAG GEAR PUMP hydrolub 22/13	Replacement pump with free shaft end with reference: SAP 642572 Specific volume: 2.8 cm ³ /U Dimensional drawing: 1007'10183'01 Housing: gray cast iron 0.6020 Game system: A2 W1R1 Direction of rotation: Clockwise / from left to right as seen from the drive Flow direction: Horizontal Heating: Without Shafts: Z12: Straight-cut nitrided steel shafts (1.8550) Stock : L01: Lead bronze Seal: D6.N: Simple mechanical seal (nitrided) Lineup: Horizontal
NP 28/28	
RX 22/22 refinex	
Hydrolub 28/36	
890435301	
Extrex 28-5 Gp	
3013297	
3108266	
50100589/50-6	
Hydrolub 28/36 Sn:50090456/050 8	
Np90/90	
3021727	
10153592 (Ex.0414458)	
890435311	
10653752	
1120545	
110969	
Therminox 28/28	
3173292	

Np28/36	
51628	
M-Np-36/45	
Extrex 56-5 Gp	
50099449/10-9	
638635	
3013298	
Type : Hydrolub® 28/28	ATEX: Without Game code: A2 / W 1 / R1 Turning / conveying direction: left / right to left, seen from the drive Housing: G 00 (DIN 0.6020) Heating: [yes / no] no Special features: None Shafts: Z 60 (DIN 1.5714) Bearing: L 01 (steel / bronze) Seal GLRD: [Type] D6.N (single acting, inner) Motor neck: Without Clutch D-Flex: Without Product flanges: [2 pieces] Without
Hydrolub 28/28	
Mpsm30-6-M-B35d-1-4-0	
M 36/45	
Np45/45	
50001358-10-1	
Vx224	
Np28/28+ Motorhals	
Np 36/36	
Np36/36g00z12I01d6na2/W 1/R1-Co8058823-102-9-98	
Hydrolub 45/45	
Refitherm 45/45	
Hydrolub 36/45 Sn:50090453/010_9	