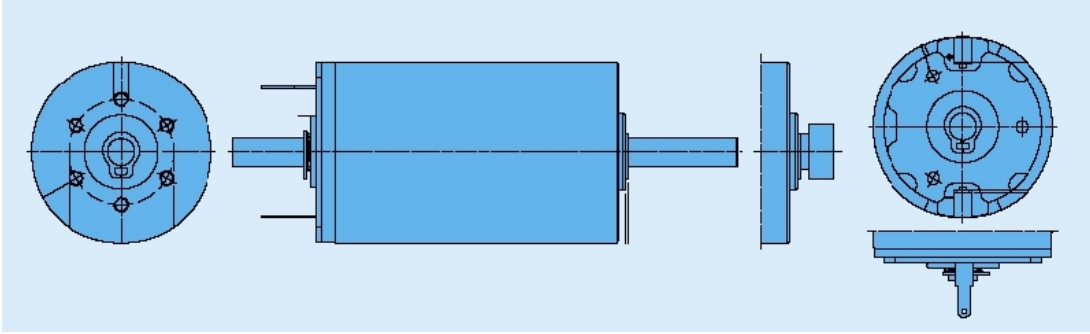


Faulhaber

Garanti: 12 ay
Bu ¼r¼ne ait T¼rkiye i¼i kapı teslim fiyat ve teslim s¼resi i¼eren teklifimizi almak i¼in info@yursat.com.tr e-posta adresine baŐvuru yapabilir ya da ayrıntılı bilgi i¼in +90 224 240 03 04 numaralı telefonumuzdan bizlere ulaŐabilirsiniz.
Faulhaber Markası, tedarik s¼resi i¼in l¼tfen bizimle iletiŐime ge¼iniz.

Firmamız Faulhaber T¼rkiye Distrib¼t¼r¼ veya temsilcisi deĐildir. Firmamız sipariŐ durumunda, belirtilen ¼r¼nlerde sadece Orjinal ve yeni ¼r¼n teklifi sunmaktadır. Bu sitede g¼sterilen ¼zel marka adları ve ticari markalar ilgili sahiplerinin m¼lkiyetindedir, talep durumunda kaldırılmaktadır.



¼r¼n	A¼ıklama
P/N 1624.A0533	
AM2224-R3-0125-30	
2342S048C R	
3557024CS 3.7	Endcoder
3557k024cs	
3557k02c	Baugr¼Be 38/2 und 43:1 oder 66:1 Getriebe
3242G012BX4 + 32GPT 20:1 + IER3-10000L	Motor+Reducer+Encoder
MCBL 3006 S RS Motion Controller	
991004 179	
00.780.1329	
0000.245037-42400	
000000-1148-308	
000000-1227-492	
0014.01100	
0022.21845	

0023.01736
0038.02470.
01.43.112.1311/01
014342
0155.02350
0165.00400
0165.01900
0308.003B
0323.00114
034714
035623
037049
038876
040286
042350
0500-6711-01
0515.006B
052239
053102
06.01.2019
0615N003S
0615N1.5S
0615N4.5S
0620.10000
0620.10010
08.01.2019
0816.A0116
0816K003SR
0816K006SR
0816K009SR
0816K012SR
0816L008S
0816P006S
0830.00100
0830.00101
1016.003-012

1016.003G
1016.006G
1016.012G
1016.A0125
1016.A0166
1016M006G
1016M006G 101K16:1
1016M012G
1016N-003G
1024.00094
1024.003-012S
1024M006S
1028.00100
1028S...B
1119621038
1212.01200
1212E006G
1219M006S
1224.006-012S
1224.006-015SR
1224.A0015
1224A015SR
1226.00168
1226A006B 124K256:1
1247.00112
1319.003-024SR
1319.A0262
1319.A0331
1319C006S
1319E024SRİE2-400
1319T-003S
1319T006S
1319T012S
1319T024S
1331.003-024SR

1331E012S
1331T006S
1336.006-024CXR
1336.006-024CXR217
1336U012C
148985
15.05.2010
1506.003-012S
1506N003SR
1506N006SR
1506N012SR
1509.006-012B
151.280.012
151.280.013
1512.003-012S
1512U003SR
1512U006SR
1512U012SR
1515.006-012B
1515U006B
1515U012B
1516.003-009SR
1516.003-012S
1516.006S
1516.012SR
1516.45323
1516.A0209
1516.A0210
1516.A02104708
1516.A0235
1516.A0306
1516.A0864
1516.A210
1516.G0142
1516.G05221516E012S
1516.G0538

1516_009
1516A006S
1516A012S
1516E012S
1516E012S
1516T006SR
1524.003-024S
1524.27500
1524.37233
1524.A0262
1524.A0362
1524.A0740
1524.A0913
1524.A1083
1524.A1108
1524.D0204
1524.G0695
1524.G0879
1524?012S
1524_003
1524_012
1524_018
1524-A-0.25-12.5-07
1524A012S
1524AO12S
1524B024S
1524E024S
1524T012S
1524T012SR
1524T024S
1524T024SR
1525U009-015B
155695
1616.03800
1616.A0590
161697

161698
1616E004S
1616E018S
1624.A0143
1624.A0159
1624.A053
1624.A0533
1624.A0597
1624.G0103
1624E012S
1624E024S
1628T012-024B
1628T012B
1628T024B
163928
1642445
165296
170012
171.711.000
171444
1717.003-024S
1717.A0259
1717.D0003
1717.G0241
1717A006S
1717A006SR
1717B006S
1717T006S
172.411.000
1724.003-012S
1724_015
1724B012S
1724T012S
1724T024
1724TS012S
1727.006-024CXR

1727.006-024CXR217
1727.A0107
1727U024C
172U024C
1741.006-048CXR
1741.006-048CXR217
1935_006
1935S006-012B
1935S009BRE
2.300.700
202.003.000
2020B012S
203.600.550
2034B030S264
2036.00551
2036.00554
2036_012
2036U012-048B
2036U012B
2036U012B-K1181
2036U024B
2057S012-024B
2057S012B
2057S024B
2057S024BHS
2070.00102
2070.00112
2070.00130
22.500.500
222.415.000
222.501.900
2224.003-009S
2224.003-040S
2224.32317
2224.A0110

2224.A0133
2224.A0260
2224.A0364
2224.A0399
2224.A0777
2224.A0809
2224.A0980
2224.D0107
2224.D0109
2224.D0177
2224.G0339
2224.G0351
2224_012SR
2224_018
2224-024SR
2224BO24SR
2224P0226
2224R024S
2224-R3-V-12-75-30
2224U006S
2224U012S
2224U012SR
2224U024S
2224U024S
2224U0SR
2225R4.3G
2225U4.3G60
223.200.201
2230.003-030S
2230.01440
2230.015-024S
2230.040S
2230_003
2230F006S
2230F006S 246
2230F024S

2230L040J
2230T024S
2230U006S
2230V006S
2230VAN
2232.006-048S
2232.A0019
2232.A0034
2232.D0003
2232R024S
2232S012-024BX4
2232S012-024BX4S
2232S024BX4
2232S024SR
2232U012S
2232U024S
2232U024SR
2233.003-030S
2233.048S
2233.11000
2233.17900
2233.A0138
2233.A0144
2233.A0166
2233.A0179
2233.A0184
2233.A0393
2233.G0111
2233F024S
2233U012S
2233U030S
2237.006-48CXR
2237S012CXR
2248S024BSL
2250.G0017

2250S024BX4
2250S024BX4S
2250S04BX4
2251R024S
22868392
2338.02200
2338.04200
2338L012S
2338S012S
234.239.000
2342.30000
2342.35000
2342.A0532
2342.A0537
2342.A0783
2342.D0753
2342.D1013
2342.D1129
2342.E0126
2342.G0240
2342_006
2342L012CR
2342L015C
2342L018CR
2342L036C
2342I08cr
2342S012C
2342S024C
2342S048
2342S048C
2342S048CR?
2342S048CRIE512
2342S048CR
2432S024C
2444_024
2444S024-048B

2444-S024-BK312
2444S048B
2445B012S
2607.003-024S
2610.006-012B
2619.003-024S
2619012SR
2619S006SR
2619S012SR
2619S024SR
2622.006-012B
2622S006B
2622S012B
2642.01000
2642.01001
2642.01089
2642.012-048CR
2642.012-048CXR
2642.A0117
2642.N0167
2642_024CR
2642W012C
2642W024C
2642W024CXR
2657.012-048C
2657.012-048CXR
2657.012-048CXR275
2657.A0104
2657.A0128
2657.D0104
2657.G0100
2657W012C
2657W024CXR
2657W048C
2668.018-024C

2842.00600
2842L036C
2842S024C
3.802.470
3000004222
3042.00470
3042.00500
3042.A0133
3042L012C
3042L012C
3042W024C
3050L0125/09
3050L012S
3050L012S/03
3050L012S/08
3050L012S/10
3050L012S/36H
3050L012S/40H
3050L012S/46H
3050L012S/57-
3050L012S/64H
3050L024S
3056.00400
3056.00504
3056.G0132
3056K012-048B
3056K012B
30969:1
3153.10001
3153.A0217
3153_009
3153K009-024B
3153K024B
3153K024BE
3153K024BRC
3153K024BRE

3153L006B
3153L006BRC
3153L024BRCY21914610
315L006BRC
3240WO24C
3242.012-048C
3242.A0157
3242G012-024BX4
3242G024BX4
325.701.000
3257.012-048C
3257.A0114
3257.A0118
3257.A0120
3257.A0207
3257.G0305
3257.G0316
3257.G0317
3257.G0345
3257.G0364
3257.G0402
3257+A013265
3257G024C
3257G024CR
3268.R0320
3268G024BX4
3272.012-048C
3272G024C
3274G024BP4
3-320-0013
3501-0018-01.
3540K008C
355.707.200
3557.00500
3557.01800

3557.03900
3557.04080
3557.04100
3557.07180
3557.51060
3557.A0080
3557.A0158
3557.A0160
3557.A0346
3557.A0352
3557.A0353
3557.A0504
3557.A0591
3557.G0140
3557.G0742
3557.N0232
3557?020?
3557048CS
3557K012C
3557K012CSX1245
3557K024C/4407
3557K024C+38/2S66:1+MG10
3557K024CR
3557K024CS/1308
3557K032C
3557K048C
3557K048C5
3557K048CR
3557L-024C-24V
3557L032C
3557P024C-221
3558K024CS
3564.00110
3564.00220
3564.00310
3564.06378

3564.06380
3564.A0395
3564.A0512
3564.A0867
3564K012-048B
3564-K-024-B
3564K024C
3564K048B
3564L024B-K1918
38/2S-43:1
381S14:1
386.302.666
386.303.934
3863.012-048C
3863.A0116
3863.A0222
3863.A0249
3863.A0434
3863.D0126
3863.G0109
3863.G0137
3863.N0207
3863-012C
3863018CR
3863-024-C
3863048CS
3863A024CR
3863A048C
3863H024C1722
3863H024CR
3863L024C
3863L024C+38/2S
3863LØ24C
3890.018-048C
3890.N0119

3890H018CR
3890H024CR
3890H036CR
3890H048CR
38A-45:1
406.4090.19
40B27-1000/3
415.4058.09
43.112.1311
43.112.1311/01
43.112.1311/B
43473
43481
43488
43505
43513
43569
43601
43621
43637
43638
43641
43746
4490.00100
4490.024B
4490.A0127
4490H024-048B
4490H024B
4490H024B-K312
4490H024B-K312+40B27-1000
61.144.1101
61.186.5311/
61.186.5311/01
61.186.5311/02
61.186.5311/03
650.001.340

650.001.349
650.100.113
6500.00105
6500.00451
6500.01339
6500.01480
6500.01487
6500.01536
6500.01547
6500.01549
650100001
650100003
650100064
650100065
650100084
650100096
650100097
650100112
650100121
650100134
650100135
650100136
650100144
650100145
650100146
650100159
6502.00147
6502.00309
6502.00310
6502.00311
6502.00312
6502.00313
6502.00314
6502.00315
6502.00316

6502.00317
6502.00318
6502.00319
6502.00320
69.147.0101/26/02
69207
69991
71.186.5311/C
711.4027.01
711.4065.15
7840-1195
800.550
8052.00310
816.003-012SR
84408
8FDP23013M
8FEI05121M
8FMD23426M
980842
982603737
9900.20000
LM0830-040-01
LM1247-020-01
LM1247-020-02
LM1247-020-11
LM1247-020-11-C
LM1247-020-12
LM1247-020-12-C
LM1247-040
LM1247-040-01
LM1247-040-02
LM1247-040-11
LM1247-040-11-C
LM1247-040-12
LM1247-040-12-C
LM1247-060

[LM1247-060-01](#)

[LM1247-060-02](#)

[LM1247-060-11](#)

[LM1247-060-11-C](#)

[LM1247-060-12](#)

[LM1247-060-12-C](#)

[LM1247-080-01](#)

[LM1247-080-02](#)

[LM1247-080-11](#)

[LM1247-080-11-C](#)

[LM1247-080-12](#)

[LM1247-080-12-C](#)

[LM1247-100](#)

[LM1247-100-01](#)

[LM1247-100-02](#)

[LM1247-100-11](#)

[LM1247-100-11-C](#)

[LM1247-100-12](#)

[LM1247-100-12-C](#)

[LM1247-120](#)

[LM1247-120-01](#)

[LM1247-120-02](#)

[LM1247-120-11](#)

[LM1247-120-11-C](#)

[LM1247-120-12](#)

[LM1247-120-12-C](#)

[LM2070-040-01](#)

[LM2070-040-11](#)

[LM2070-040-12](#)

[LM2070-080-11](#)

[LM2070-080-12](#)

[LM2070-120-02](#)

[LM2070-120-11](#)

[LM2070-120-12](#)

[LM-2070-160-02](#)

LM2070-160-11	
LM2070-220-11	
2232s012-024bx4s Ie3-1024 L	
Rod Lm1247-080 (6502.00312)	
2232.A0035 2232u024s R 201 3.71:1	
2036u024bk1155	
4490h024-048b S	
Lm2070-220-12	
4490h024bsk1155 44/1 23:1	
2232s012-024bx4 Ie3-1024	
3564k024b-Cs	SERVO MOTOR BRUSHLESS DC
Bld5018-Sc2p	
3268g024bx4 Ie3-1024 L	
1628t024bk1155	
Lm2070-040-12-C	
2250s024bx4 Ie3-1024	
2232s012-024bx4 Aes-4096	
3274g024bp4 Ie3-1024	
2232u024s R20/1 3.71:1	
3153k009-024b Rc	
Bld7010	4-Q SERVO AMPLIFIER
356406378	SERVO MOTOR
Lm2070-120-12-C	
??2224-R3-V-12-75-30 Stepper Motor	
(2342.D1129) 2342s012c R Heds5540c	
2342s048cr	
1524.A1874	1524T012S 167 246:1
720a/Awv/263-1996	
3557p0053	MOTOR
2250s024bx4 Ie3-1024 L	
3564.A0867 Motor Komplett Mit Getriebe Cs-3310+30/1s-66:	
2232r024sr	
Lm2070-080-11-C	
(2338.02200) 2338s012s Motor	
2232s012-024bx4s Ie3-1024	
06/1 4096:1	

2622.006-012b 22:1
Lm2070-160-11-C
Rod Lm2070-220 (6502.00320)
3557k024cs + 38/2-3.71:1
Lm2070-040-11-C
(3268.R0320) 3268g024bx4 Sc 3809 32a 236:1 Motor With Gearbox
3242g012-024bx4 Ie3-1024 L
1024...Sr Micromotor
3557k024c U Mikromotor
2622.006-012b 1257:1
(1616.A0590) 1616e012s Lt 16a 485:1 Motor
(3056.00400) 3056k012b Motor
3863.G0104
2233r024s74
Rod Lm1247-060 (6502.00314)
1016m006g 101k16:1 Motor+gearbox
Lm2070-160-12-C
3268g024bx4 Ie3-1024
(3557.02000) 3557k012c S
2250s024bx4s Ie3-1024 L
2232s012-024bx4s Aes-4096
(3042.00500) 3042w012c Motor
N000488
Minimotor Sa 38/1 14:1
4490 H 048 Bs-K1155
2250s024bx4s Ie3-1024
Rod Lm1247-040 (6502.00313)
71.186.5121/01
Rod Lm1247-120 (6502.00316)
3557.A0352 Getriebemotor3557k024c S 381 415:1
4490h024bs K1155 38a 12:1
(2342.G0240) 2342s048c R Ie2-512 231 66:1 K1408
2642w024c R + 26/1 - 3.71:1
1515.006-012b 39:1

2342s024cr	
06/1 4:1	
Lm2070-220-11-C	
06/1 256:1	
3863a024c	
2342l018cr-Z1533451	
Rod Lm2070-080 (6502.00147)	
N000150	
3564k024bcs3310	MOTOR
3557l024cs	
1935s006-012b Rc	
Rod Lm2070-040 (6502.00317)	
(2657.G0100) 2657w012c R Ie2-16 261 3.71:1	
1525u009-015b Rc	
3557k 024cr+32/1 4:1	
2622.006-012b 207:1	
4490h048b 441 23:1	
1515.006-012b 112:1	
3863a024c 381 14:1	
3564k024bcs301s6	MOTOR
Lm2070-120-11-C	
Kugellager 06/1k	
3242g012-024bx4 Aes-4096	
Rod Lm1247-100 (6502.00315)	
816 P 006 S/ 08/1k 1024:1 Gearmotor	
3557k024c	3557.N0195 674 321 25:1 HEDL5540A MBZ22V
1016 M 012 G/ 10/1k 1024:1 Gearmotor	
3863h048c	
3863.G0109 3863a024c 381s159:1 Heds5500a	
1226...? Micromotor	
3863.A0222 Getriebemotor3863a024c 381s246:1	
Sa 2036 U 012 B K312 Mikromotor	
2657.01000	
357g024cr-2608	

1247.00112 Lm 1247-020-01 3557k012cs	
3557k024c S301s 1526:1	
Rod Lm1247-020 (6502.00311)	
38/2	
2622.006-012b 814:1	
Am2224r3012530 Motor (2224-R3-V-12-75-30)	
Lm2070-220-12-C	
1727u012c 123 Ie2-16 167 3.71:1	Art Nr. 9900.20000 Worm on gear shaft is not part of our delivery
06/1 64:1	
Rod Lm2070-160 (6502.00319)	
08/1 16:1	
(2224.D0109) 2224u012s R Ie2-512	
3268g024bx4 Aes-4096	
541702	
4490h048bs	
Mcb13006s	
(2342.G0240) 2342.G0240	
3863h024c38a1211	MOTOR
3242g012-024bx4 Ie3-1024	
1515.006-012b 6:1	
2250s024bx4 Aes-4096	
(3557.A0158) 3557k024c R 321 7:1	
1028...B Micromotor	
3557k020cs	
1226a006b 124k256:1 Motor+gearbox	
3564.06378 Motor 3564k024b Cs	
1515.006-012b 13:1	
3564k024bcc	MOTOR
3863-024+38/1	
2232s012-024bx4 Ie3-1024 L	
(2224.A0110) 2224u024s R 231 246:1	
2233u024s-20b2	
(3056.G0132) 3056k024b K312 301 3.71:1heds5500a Xx917 Motor	
3540k024c301	MOTOR
9900.20000 2224.A0723am22242r025010 231	

66:1	
(1624.A0533) 1624b024s L 15ac69:1 3231	
3557.A0159	
Mcb13006supm	
2622.006-012b 112:1	
(3557.04080) 3557k024c R	
2622.006-012b 8:1	
Lm2070-160-12	
3557p0092	MOTOR
(1016.A0166) 1016m006g 101k256:1	
1515.006-012b 324:1	
3557k048cs	
06/1 1024:1	
(3242.A0157) 3242g024c R 381 415:1 Motor + Gear	
2342s048c R 231 246:1 (Ex 2342s048cr+23/1 246:1)	
Lm2070-080-12-C	
2622.006-012b 361:1	
06/1 16:1	
Rod Lm0830-040 (6502.00310)	
(1516.A0235) 1516e012s 155 900:1	
3272g024cr 382 989:1	
3274g024bp4 Ie3-1024 L	
2250s024bx4s Aes-4096	
(2342.30000) 2342s012c R	
2622.006-012b 33:1	
Rod Lm2070-120 (6502.00318)	
Mcdc3002prs	
08/1 4:1	