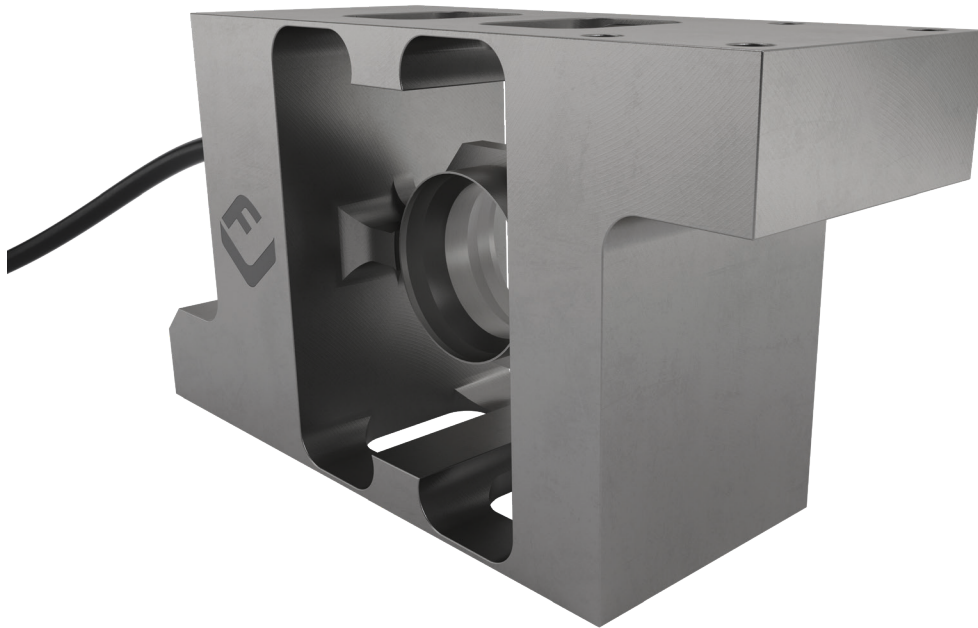

PC12 single point load cell



product description

Optimised for dynamic weighing applications, the PC12 single-point load cell provides high weighing accuracy in a robust, durable design. Fully sealed and constructed from stainless steel, the PC12 is fully off-centre load adjusted to provide high accuracy weighing results in dynamic weighing such as high speed checkweighers. The PC12 is suitable for trade-approved applications, certified to OIML C3 standards.

applications

High-speed checkweighers, multi-head weighers.

approvals

OIML approval to C3 (Y = 20,000)

ATEX hazardous area approval for zones 0, 1, 2, 20, 21 and 22

key features

Stainless-steel construction

Hermetically sealed to IP68

For platform up to 600 x 600mm

Developed for dynamic weighing

Capacity of 20kg

Trade-approved accuracy

accessories

Compatible range of electronics



RoHS
compliant



 **flintec**
quality + precision

specifications

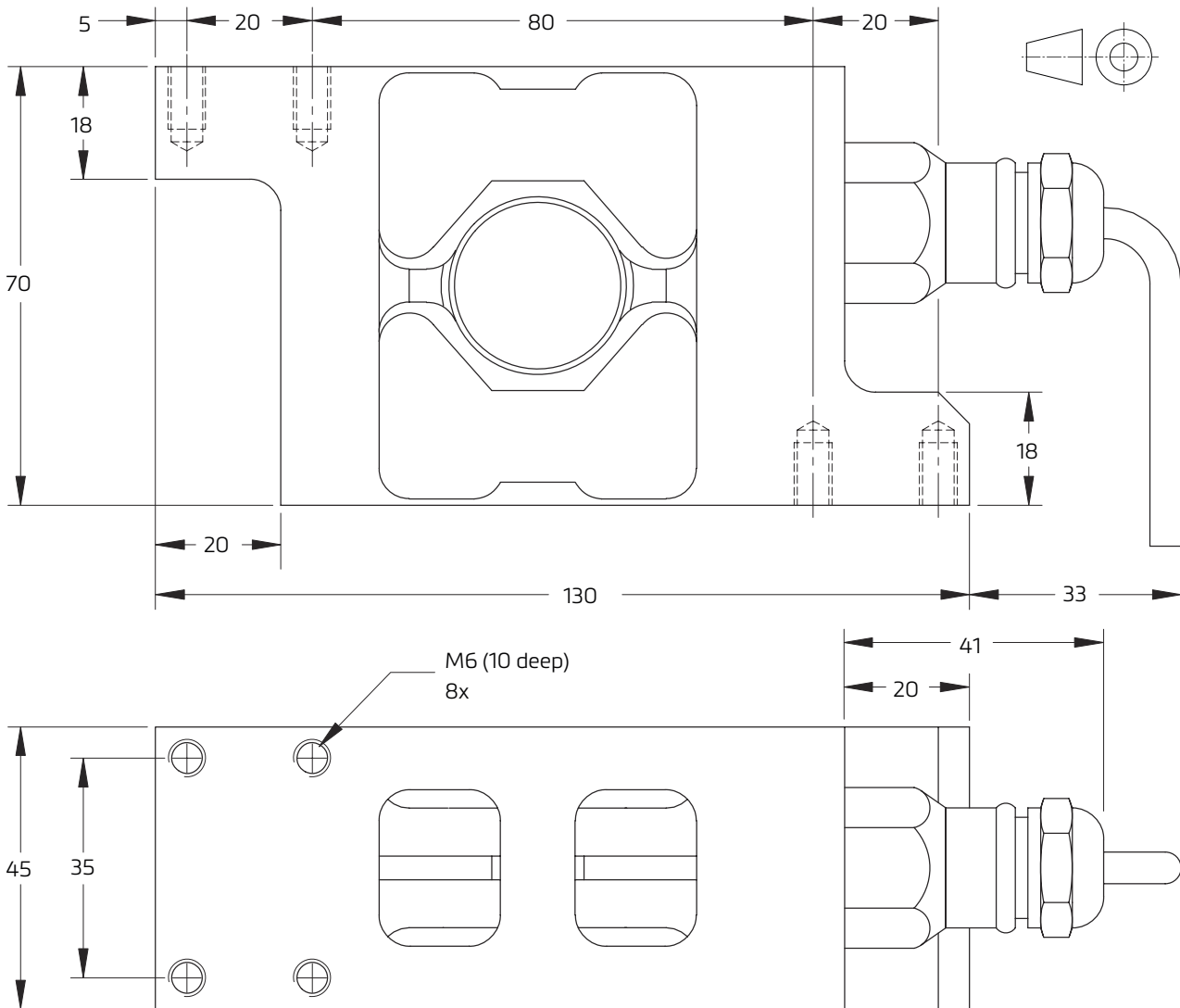
Maximum capacity (E_{max})	kg	20	
Accuracy class according to OIML R60	-	(GP)	C3
Maximum number of verification intervals (n_{LC})	-	n.a.	3,000
Minimum load cell verification interval (v_{min})	-	n.a.	$E_{max} / 20,000$
Temperature effect on minimum dead load output (TC_0)	%*RO/10°C	± 0.0400	± 0.0070
Temperature effect on sensitivity (TC_{RO})	%*RO/10°C	± 0.0200	± 0.0100
Combined error	%*RO	± 0.0500	± 0.0200
Non-linearity	%*RO	± 0.0400	± 0.0166
Hysteresis	%*RO	± 0.0400	± 0.0166
Creep error (30 minutes) / DR	%*RO	± 0.0600	± 0.0166
Rated Output (RO)	mV/V	2 ± 5%	
Zero balance	%*RO	± 5	
Excitation voltage	V	5...15	
Input resistance (R_{LC})	Ω	1,100 ± 50	
Output resistance (R_{out})	Ω	960 ± 50	
Insulation resistance (100 V DC)	MΩ	≥ 5,000	
Safe load limit (E_{lim})	%* E_{max}	200	
Ultimate load	%* E_{max}	300	
Safe side load	%* E_{max}	100	
Maximum platform size; loading acc. to OIML R76	mm	600 x 600	
Maximum off centre distance at maximum capacity	mm	200	
Compensated temperature range	°C	-10...+40	
Operating temperature range	°C	-40...+80 (ATEX -40...+60)	
Load cell material	-	stainless steel 17-4 PH (1.4548)	
Sealing	-	complete hermetic sealing; cable entry sealed by glass to metal header	
Protection according EN 60 529	-	IP68 (up to 2 m water depth) / IP69K	
Packet weight	kg	1.6	

The limits for Non-Linearity, Hysteresis, and TC_{RO} are typical values.

The sum of Non-linearity, Hysteresis and TC_{RO} meets the requirements according to OIML R60 with $pLC=0.7$.



product dimensions (mm)



Mounting bolts M6 8.8; torque 10 Nm. Torque value assumes oiled threads.

wiring

The load cell is provided with a shielded, 6 conductor cable (AWG 26).

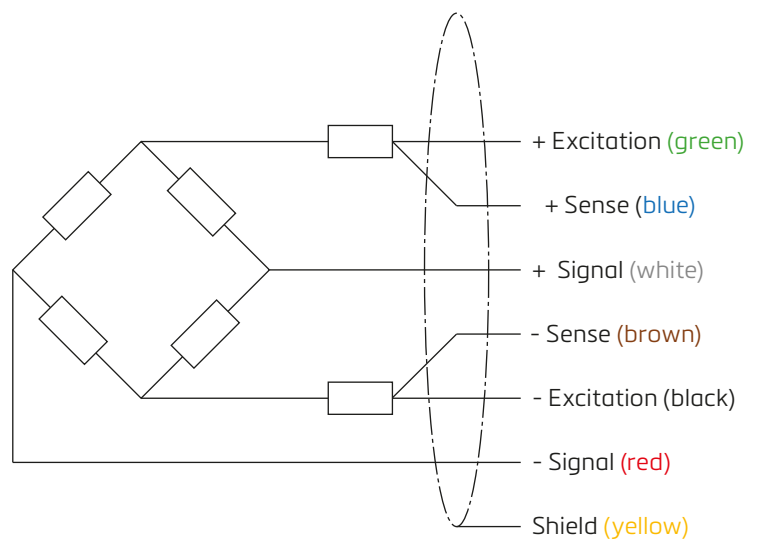
Cable jacket: polyurethane

Cable length: 3m

Cable diameter: 5mm

The shield is floating

On request the shield can be connected to the load cell body



Specifications and dimensions are subject to change without notice.