

**Inductive Hollow shaft encoder, Absolute**

- 58mm diameter
- Extremely robust design
- Shock and vibration protected
- Inductive scanning

**Mechanical data**

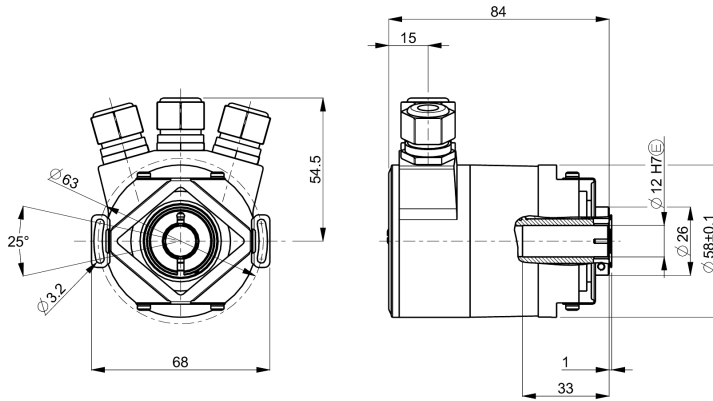
Operating temperature	-40 °C...+70 °C
Ingress protection class [IEC 60529]	IP 66 and IP 67
Vibration [IEC 60068-2-64]	≤ 300 m/s <sup>2</sup>
Shock [IEC 60068-2-27]	≤ 2000 m/s <sup>2</sup>
Shaft load (axial/radial)	100 / 140 N
Rotational speed max	12000 rpm
Shaft material	Stainless steel
Cover material	Aluminium (anodized)
Weight	430 g

**Encoder config**

Type	IHA
Model	608 Multiturn
Shaft type	Ø12 mm blind hollow shaft
Flange type	58/59-flange with stator coupling
Power supply	9-36 Vdc
Output interface	PROFIBUS DP
Absolute resolution	25 bit (13 bit singleturn + 12 bit multiturn)
Connection type	Cable gland
Connecting direction	Radial

**Electrical data**

Polarity protected	Yes
Current consumption	95 mA at 24 Vdc
Absolute accuracy	± 180 arcsec
Supported profile	Encoder profile 3.062 and 3.162 v4.1
Node adress	Settable via DIP switches, 0...99
Baud rate	Max. 12 Mbit/s

**Dimensions****Supported functions**

Preset, Scaling, Code sequence, Isosynchronous mode (only DPV2), Velocity (only DPV0 class 2)

**Pin Configuration**

Function	Terminal
+E Volt	+ (1)
0 Volt	- (2)
B** (Bus in)	B (3)
A* (Bus in)	A (4)
B** (Bus out)	B (5)
A* (Bus out)	A (6)

\*A terminals are connected

\*\*B terminals are connected

**Order information**

Part number	881323-01
-------------	-----------